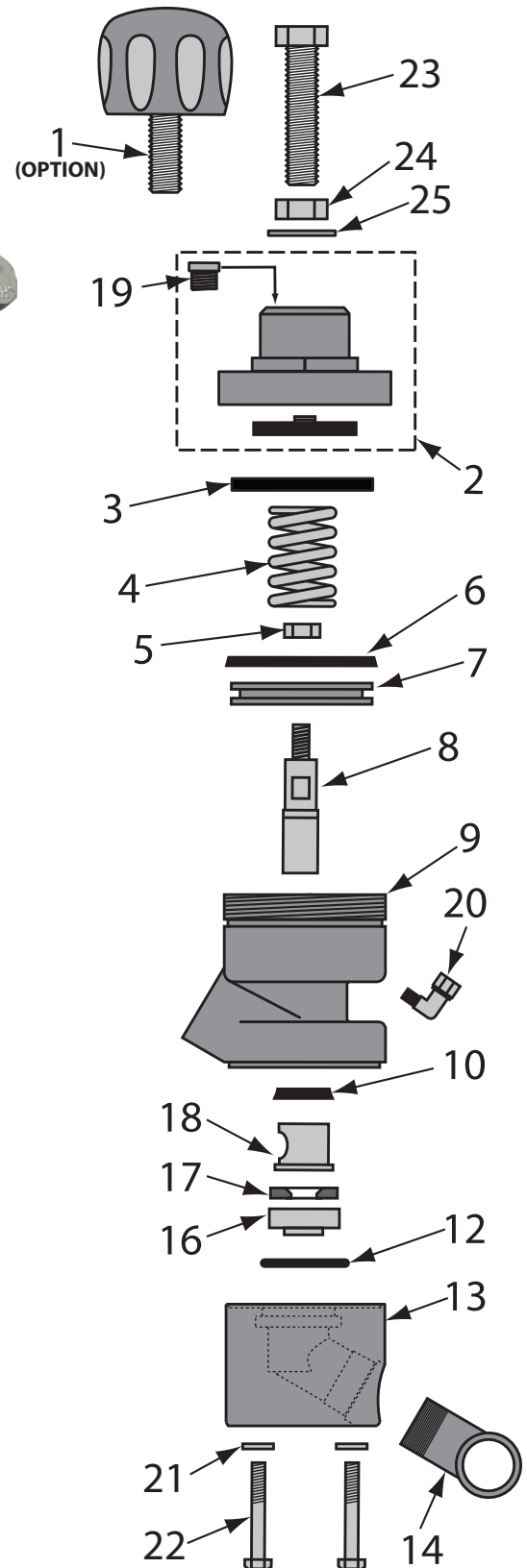




ASSEMBLY INSTRUCTIONS

APV Straight-Down / APV Shot-Peener 30#



| | | |
|----|------------------|--|
| | 888-2151-000PB | APV STRAIGHT-DOWN METERING VALVE W/TUNGSTEN CARBIDE SLEEVE (PIPE NIPPLE NOT INCLUDED) |
| | 888-2151-00099PB | APV STRAIGHT-DOWN, REPAIR KIT W/TC SLEEVE, INCLUDES # 6, 8, 10, 12, 16, 17 & 18 |
| | 888-2151-00098PB | APV STRAIGHT-DOWN, SEAL KIT, SEALS ONLY W/URETHANE SEAT, INCLUDES # 6, 10, 12 & 17 |
| | 888-2151-020PB | APV, SHOT-PEENER-30# , STRAIGHT-DOWN METERING VALVE W/TUNGSTEN CARBIDE SLEEVE & SEAT (PIPE NIPPLE NOT INCLUDED) |
| | 888-2151-02099PB | APV, SHOT-PEENER-30# , REPAIR KIT W/TC SLEEVE & SEAT, INCLUDES # 6, 8, 10, 12, 16, 17 & 18 |
| | 888-2151-02098PB | APV, SHOT-PEENER-30# , SEAL KIT, SEALS ONLY, INCLUDES # 6, 10, & 12 |
| 1 | 888-2149-00001PB | APV, KNOB |
| 2 | 888-2148-00002PB | APV & APV II, CAP ASSEMBLY |
| 3 | 888-2149-00019PB | APV & APV II, BUMP RING |
| 4 | 888-2149-00003PB | APV & APV II, SPRING |
| 5 | 888-2149-00008PB | APV, NUT |
| 6 | 888-2149-00004PB | APV, PISTON SEAL |
| 7 | 888-2149-00005PB | APV, PISTON |
| 8 | 888-2149-00007PB | APV, TUNGSTEN CARBIDE, PLUNGER |
| 9 | 888-2149-00009PB | APV, CYLINDER |
| 10 | 888-2148-00006PB | VALVE, PLUNGER SEAL |
| 11 | 888-2149-10013PB | APV, SLEEVE, URETHANE |
| 12 | 888-2149-00935PB | O-RING FOR STRAIGHT-DOWN METERING VALVE INSERT |
| 13 | 888-2149-40711PB | BASE FOR STRAIGHT-DOWN METERING VALVES |
| 14 | 888-2149-50616PB | PIPE NIPPLE, LARGE BORE, 1" FEMALE x 1-1/2" MALE FOR STRAIGHT-DOWN METERING VALVES |
| | 888-2149-50716PB | PIPE NIPPLE, LARGE BORE, 1-1/4" MALE x 1-1/4" MALE FOR STRAIGHT-DOWN METERING VALVES |
| | 888-2149-50816PB | PIPE NIPPLE, LARGE BORE, 1-1/2" MALE x 1-1/2" MALE FOR STRAIGHT-DOWN METERING VALVES |
| 15 | 888-2149-00018PB | APV & APV II, O-RING |
| 16 | 888-2149-00014PB | APV, INSERT |
| 17 | 888-2149-00010PB | APV & APV II, URETHANE SEAT |
| | 888-2149-40710PB | APV, SHOT-PEENER-30# , TUNGSTEN CARBIDE SEAT, (AVAILABLE IN REPAIR KIT ONLY) |
| 18 | 888-2148-00013PB | APV & APV II, SOLID TUNGSTEN CARBIDE SLEEVE |
| 19 | 888-2014-300PB | VENT, 1/8" |
| 20 | 888-4203-50000PB | SWIVEL 90°, 1/8"MNPT X 1/8" F |
| 21 | 888-7027-50302PB | APV, APV II & T2V, FLAT WASHER 3/8" SAE |
| 22 | 888-7010-50714PB | BOLT, 3/8" UNC x 3-3/4" |
| 23 | 888-7010-51512PB | HEX BOLT, 5/8" UNC x 3-1/2" |
| 24 | 888-7017-515PB | NUT, 5/8" UNC |
| 25 | 888-7027-55202PB | FLAT WASHER, 5/8" UNC |